



NORIMAKI MAKER

Commercial Norimaki Making Machine

ASM880CE

NORIMAKI MAKER

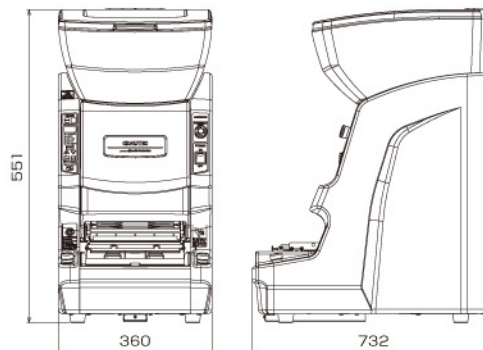


Control Panel



It can be operated simply and set flexibly.

- The lighter machine parts simplify daily cleaning, assembling and disassembling.
- The new feature of loosening rice was designed for the ASM880 and the hopper capacity was increased to 10kg.
- The machine keeps the setting values of the previous operation. These can be recalled automatically just by attaching each wrapping unit to the main body.
- Its applicability to long rolls makes it possible to make various kinds of rolled sushi. Inside-out rolls can also be made by changing settings.
- Changing the wrapping unit is easy with one-touch simple operation and the previously used rice mat setting is automatically set in accordance with the size of the wrapping unit.



ASM880CE **CE**

Power Supply AC230V 50Hz

Power Consumption 70W

Finished Rolled Size ※
It can form the sizes below by changing the wrapping-unit (sold separately).

		Finished Rolled Specification(mm)	Seaweed Size (mm)	Rolled Approx. weight
Small	S	25 square x 185 width	103 x 185	70g - 90g
Med.	M	35 square x 185 width	150 - 165 x 185	120g - 150g
Lgr.	L	45 square x 185 width	188 - 208 x 185	200g - 270g
Yoko Med.	YM	35 square x 205 width	150 - 165 x 205	130g - 160g
Yoko Lgr.	YL	45 square x 205 width	185 x 205	220g - 300g

※ Rolled weight varies depending on the amount of ingredients and rice condition.

Hopper Capacity Max. Approx. 10kg

Rice Supplying Method Auto-stirring Supply System

Dimensions W 360x D 551x H 732mm

Weight Approx. 50 kg