



NORIMAKI MAKER

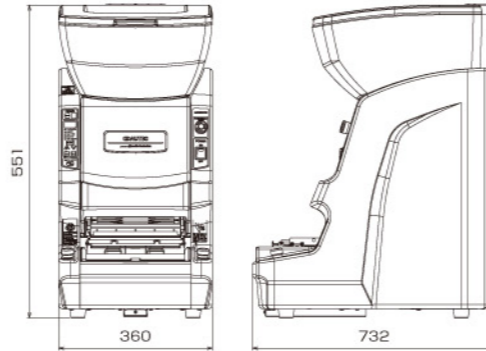
Commercial Norimaki Making Machine

ASM880CE

NORIMAKI MAKER



Control Panel



ASM880CE

Power Supply AC230V 50Hz
Power Consumption 70W

Finished Rolled Size ※
It can form the sizes below by changing the wrapping-unit (sold separately).

	Finished Rolled Specification(mm)	Seaweed Size (mm)	Rolled Approx. weight
Small	S 25 square x 185 width	103 x 185	70g - 90g
Med.	M 35 square x 185 width	150 - 165 x 185	120g - 150g
Lgr.	L 45 square x 185 width	188 - 208 x 185	200g - 270g
Yoko Med.	YM 35 square x 205 width	150 - 165 x 205	130g - 160g
Yoko Lgr.	YL 45 square x 205 width	185 x 205	220g - 300g

※ Rolled weight varies depending on the amount of ingredients and rice condition.

Hopper Capacity	Max. Approx. 10kg
Rice Supplying Method	Auto-stirring Supply System
Dimensions	W 360x D 551x H 732mm
Weight	Approx. 50 kg

It can be operated simply and set flexibly.

- The lighter machine parts simplify daily cleaning, assembling and disassembling.
- The new feature of loosening rice was designed for the ASM880 and the hopper capacity was increased to 10kg.
- The machine keeps the setting values of the previous operation. These can be recalled automatically just by attaching each wrapping unit to the main body.
- Its applicability to long rolls makes it possible to make various kinds of rolled sushi. Inside-out rolls can also be made by changing settings.
- Changing the wrapping unit is easy with one-touch simple operation and the previously used rice mat setting is automatically set in accordance with the size of the wrapping unit.

Commercial Norimaki Cutter

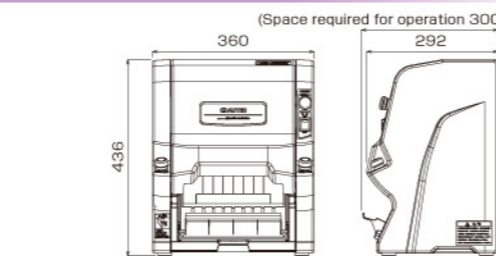
ASM250CE

NORIMAKI MAKER



Efficiency improves with safety operation

- Nicely cut rolled sushi is dropped onto the bottom tray and base is recovered automatically so work efficiency is improved.
- As the parts are made of resin, cleaning, assembling and disassembling is simplified.
- The cut base units are for 6 pcs, 8 pcs and 10 pcs. For 6 pcs and 8 pcs, the cut base unit is common.



ASM250CE

Power Supply AC100V - 240V 50Hz / 60Hz
Power Consumption 40W

Production Capacity Up to 600 pcs per hour
※ The production capacity varies depending on the setting and the conditions

Range of Norimaki sizes
Thickness equivalent to 25 square - 50 square (mm)
Length lengthwise roll (for 4 / 6 / 8 pcs) : 180 - 185 (mm)
Yoko roll (for 10 pcs) : 200 - 205 (mm)

Cutting Size (mm)	For 4 pcs cut : 45 each
	For 6 pcs cut : 30 each
	For 8 pcs cut : 22.5 each
	For 10 pcs cut : 20 each

Dimensions	W 360 x D 292 x H 436 mm
Weight	18 kg

Commercial Norimaki Making Machine

ASM835

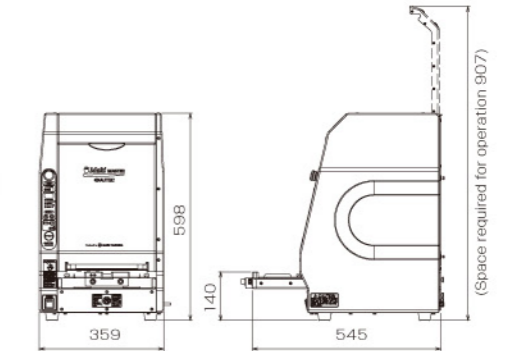
NORIMAKI MAKER



Control Panel



A combination of manual and automatic operation can be utilized with this machine.



ASM835

Power Supply AC100V 50Hz / 60Hz
Power Consumption 60W

Production Capacity Up to 700 - 1200 pcs per hour
※ The production capacity varies depending on the setting and the conditions

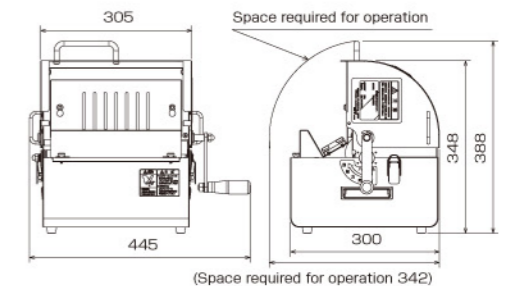
Volume Adjustment	40 - 400 g
Hopper Capacity	Approx. 6.0 kg
Dimensions	W 359 x D 545 x H 598 mm
Weight	Approx. 33.5 kg

- The ASM835 with no wrapping function is a compact and low cost. It can handle flexible operation by making wrapping process manually.
- As the machine remembers 5 different kinds of settings for rolling out, No need to set values every time.
- It can be selected feeding rice on the seaweed or attaching seaweed onto rice mats depending on your operation. As the wrapping operation is manual, it can handle any special size of fillings.
- They are convenient and hygienic as there is no need to touch buttons during operation.
- LED light helps to produce rice sheets in dimly lit restaurants.

Commercial Norimaki Cutter

ASM230

NORIMAKI MAKER



Safe and efficient manual NORIMAKI CUTTER

- Safe work environment with auto lock mechanism. No blades are exposed when the cover is open.
- New special circular shape blades cut cleanly and evenly.
- The lock can be manually released if required.
- This unit is portable as it does not require any electrical power. Easy set up and power saving.

ASM230

Cutting Method Manual 2 rotation cutting method
The following Norimaki cuts can be made by selecting the appropriate cutting unit (optional).

Cutting Size	For cutting of 6 pieces from 185mm length roll	For cutting of 8 pieces from 185mm length roll	For cutting of 10 pieces from 205mm length roll
	6 pcs.	8 pcs.	10 pcs.
	= Approx. 30 mm	= Approx. 21.5 mm	= Approx. 20 mm

Dimensions	W445 x D342 x H348 mm
Weight	Approx. 11 kg

※ 388mm of height will be needed for actual working dimensions