



# SHARI MAKER

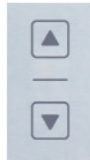
Programmable Commercial Mixer (Rice and Vinegar Mixer)

## ASM780CE

SHARI MAKER



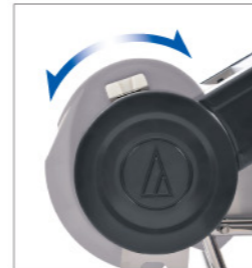
Control Panel



Up Down Button



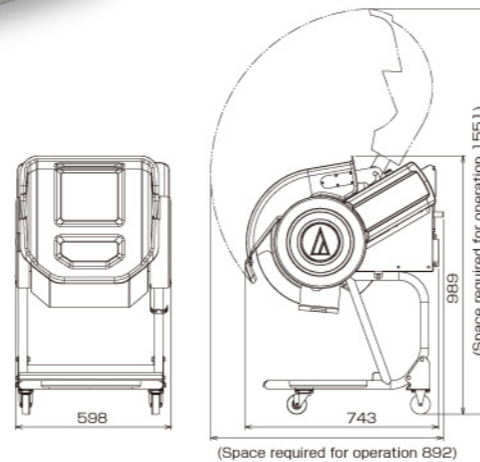
You can easily detach the drum bowl with one touch of a button.



A new cradle-like mixing way is adopted.

### Newly developed special resin improves safety and realizes ideal and easy operation.

- A newly-developed temperature sensor on the ASM780 helps to offer uniform finished rice without being affected by the condition of the cooked rice.
- Once operation is done, the machine transfers the mixed rice to the box automatically. Set a rice box in advance and transferring will be completed.
- The drum is light and releases quickly because newly developed resin is used and it is also easy to clean as the drum itself can be moved to the sink to be cleaned.
- ASM780 adopts a new method of mixing rice using a cradle-like motion to mix evenly. It is also suitable for making Japanese-style mixed rice by just adjusting mixing time.
- The operation is interrupted while drum cover is opening.



ASM780CE		CE
Power Supply	AC230V 50Hz	
Power Consumption	200W	
Capacity	Approx. 7 - 14 kg	
Dimensions	W 598 x D 743 x H 989 mm ※ Excluding the Power Cord and protruding parts	
Weight	Approx. 47 kg	

Programmable Commercial Mixer (Rice and Vinegar Mixer)

## ASM720CE

SHARI MAKER



Control Panel

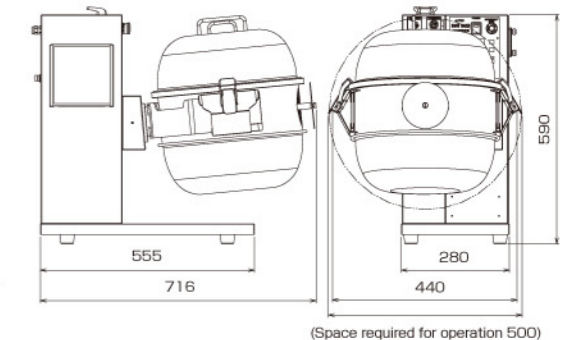


The cover bowl is removed and attached easily



### Compact yet highly functional desktop-size rice and vinegar mixer

- Highly efficient to prepare perfect sushi rice and mixed rice with the same basic function as ASM760. May be used on a 600 mm wide bench table.
- Our original program auto stirring system produces less sticky sushi rice.
- Capable of storing 2 different preferred programs into memory of the machine.
- Suitable for small restaurants that serve sushi as their side menu.
- Suitable for restaurant owners who insist on serving fresh rice.
- Smooth operation and cleaning processes by removable cover bowl and drum bowl.
- The drum bowl is Teflon-coated, the main body is fully covered with stainless steel SUS304.



ASM720CE		CE
Power Supply	AC230V 50Hz	
Power Consumption	120W	
Capacity	Approx. 3.6 - 7.2 kg	
Dimensions	W 440 x D 716 x H 590 mm	
Weight	Approx. 38 kg	