



SUSHI MAKER

Commercial Sushi Rice Ball Forming Machine

ASM410/ASM410CE



SUSHI MAKER



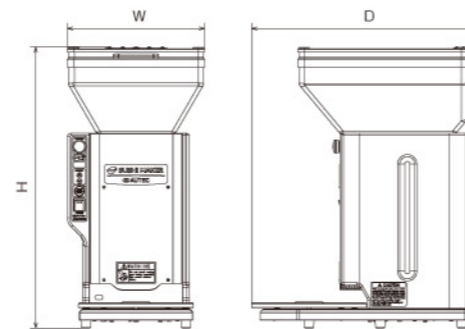
Control Panel



Stable quality and soft texture of rice balls



Continuous forming mode or single forming mode can be selected with one touch simple switching



ASM410	
Power Supply	AC100V 50Hz / 60Hz
Power Consumption	60W
Production Capacity	Up to 2,400 pieces per hour *The production capacity varies depending on the setting and the conditions
Volume Adjustment	18 - 24 g / ball (SS, S, M, L)
Hopper Capacity	Approx. 7.5 kg
Dimensions	W 310 x D 497 x H 635 mm
Weight	Approx. 23 kg

ASM410CE	
Power Supply	AC230V 50Hz
Power Consumption	80W
Production Capacity	Up to 2,400 pieces per hour *The production capacity varies depending on the setting and the conditions
Volume Adjustment	18 - 24 g / ball (SS, S, M, L)
Hopper Capacity	Approx. 7.5 kg
Dimensions	W 310 x D 513 x H 636 mm
Weight	Approx. 23 kg

*The picture and dimensional outline drawing are shown in the CE-type.

Compact and high performance with flexible operation

- Capable of producing up to 2,400 pieces per hour. Top-class forming speed with its compact design.
- Flexible operation: continuous forming mode or single forming mode can be selected easily.
- Improved quality formation of rice balls-producing consistent rice balls with less rough edges.
- Sushi rice balls are accurately discharged on the turntable to improve work efficiency.
- Heat-retaining hopper keeps sushi rice at suitable temperature for a long time.
- Compact body and simple structure: Easy to clean with fewer parts and no complicated adjustments.

Commercial Sushi Rice Ball Forming Machine

ASM405/ASM405CE



SUSHI MAKER



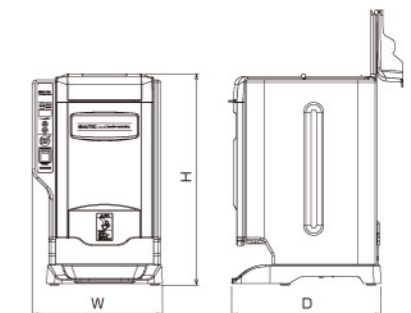
Control Panel



In HAND mode, sensor detects hand position and drops a rice ball



In AUTO mode, after a rice ball is picked up, another is dropped



Variations of forming rollers
(common to ASM410, ASM405, and ASM450)

Name	Weight
SS	Approx. 18 g
S	Approx. 20 g
M	Approx. 22 g
L	Approx. 24 g

*A set of forming roller is included when purchasing 1 set of each machine; additional forming rollers are optional.
*Other sizes would be compiled as special specification.

Stylish & compact : Novel SUSHI-CUBE everyone will want to display it

- A hand sensor is used to detect hand position and drop a rice ball.
- Stylishly designed, this machine fits every restaurant and counter.
- Integration of the hopper and the body give it a slim, compact style.
- Special resin parts, with improved durability, replace Teflon coating.
- Easy selection between "HAND" and "AUTO" modes with one touch of a button.
- Fewer parts for easy cleaning.

ASM405	
Power Supply	AC100V 50Hz / 60Hz
Power Consumption	30W
Production Capacity	Up to 1,800 pieces per hour *The production capacity varies depending on the setting
Volume Adjustment	18 - 24 g / ball (SS, S, M, L)
Hopper Capacity	Approx. 3 kg *manual rice feeding system
Dimensions	W 280 x D 321 x H 454 mm *Excluding the power cord and screw's salient parts
Weight	Approx. 16 kg

ASM405CE	
Power Supply	AC230V 50Hz
Power Consumption	40W
Production Capacity	Up to 1,800 pieces per hour *The production capacity varies depending on the setting
Volume Adjustment	18 - 24 g / ball (SS, S, M, L)
Hopper Capacity	Approx. 3 kg *manual rice feeding system
Dimensions	W 280 x D 321 x H 454 mm *Excluding the power cord and screw's salient parts
Weight	Approx. 16 kg